

Pastry Ultrasonic Cutting Machine On Line - Ultrasonic Food Cutter

Our customer are looking for pastry ultrasonic cutting machine on line not individual use .

They have 3 kind of sweet for cutting :

Cube (product like marshmallow and jelly + other product like cheese texture) sheet

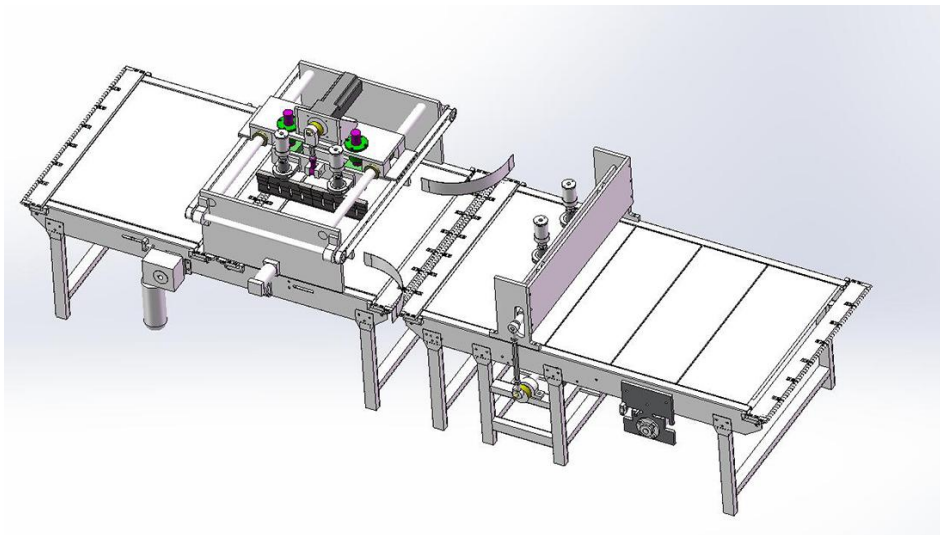
Size of tray: H= 4 cm , W= 28 cm , L= 40 cm

Size of cubes: H= 2 cm , W= 2.5 cm , L= 2.5 cm.

- Slice cake product (SHEET) halvah / geely / cake out put per day 150 sheet



We send our customer the suggested suitable machine for their products.



UFM8000 ultrasonic cutting equipment for the industrial production line, suitable for high-yield food manufacturers. This ultrasonic cutting equipment can cut a variety of products, cutting a larger range, a variety of cutting mode can choose.